

MODEL 40B CRASH TEST ACCELEROMETER

Specifications

- Critically Damped DC Accelerometer
- Pedestrian Impact Testing
- Compliant to SAE J211/J2570
- Compliant to ISO 6487
- $\pm 25g$ to $\pm 2000g$ Dynamic Range
- Temperature Compensated

Features

- Low Transverse Sensitivity
- Critical 0.7 Damping Ratio
- Standard $<25mV$ ZMO
- 10,000g Shock Protection
- 2-10Vdc Excitation
- Silicon Piezoresistive Elements
- $-20^{\circ}C$ to $+80^{\circ}C$ Temperature Range

Applications

- Anthropomorphic Dummy Instrumentation
- Crush Zone Testing
- Pedestrian Impact Testing
- Auto Safety Testing Applications
- Shock and Impact Testing
- Transient Drop Testing
- Munitions Testing

The TE Connectivity model 40B is a critically fluid damped DC accelerometer designed for anthropomorphic dummy and pedestrian impact testing and is compliant with the latest SAE J211/J2570 safety regulations. The accelerometer features a full bridge output configuration with built-in mechanical over-range stops for optimum protection. The model 40B accelerometer has a standard cross-talk accuracy of $<3\%$ (with option for $<1\%$) and a standard ZMO of $<\pm 25mV$.

The model 40B crash test accelerometer is offered in ranges from $\pm 25g$ to $\pm 2000g$ and features anodized aluminum housing with an industry standard mounting footprint.

The crash test accelerometer has a standard operating temperature range of $-20^{\circ}C$ to $+80^{\circ}C$ and is environmentally sealed with an integral cable strain relief. The flexible cable is also designed for high-g impact testing with minimal triboelectric induced noise.

For a triaxial option, TE Connectivity also offers the critically damped model 43 accelerometer with identical performance.

MODEL 40B ACCELEROMETER

Performance Specifications

All values are typical at +24°C, 80Hz and 10Vdc excitation unless otherwise stated. TE Connectivity reserves the right to update and change these specifications without notice.

PARAMETERS

DYNAMIC							NOTES
Range (g)	±25	±100	±250	±500	±1000	±2000	
Sensitivity (mV/g) ¹	6.0	1.5	0.60	0.30	0.15	0.075	@10Vdc Excitation
Frequency Response (Hz)	0-200	0-400	0-600	0-1100	0-1500	0-2500	±2.5%/-8%
	0-350	0-675	0-1100	0-2000	0-2700	0-4500	±2.5%/-20%
Natural Frequency (Hz)	>800	>1500	>2500	>4500	>6000	>10000	
Transverse Sensitivity (%)	<3	<3	<3	<3	<3	<3	<1% Option
Non-Linearity (%FSO)	<±1	<±1	<±1	<±1	<±1	<±1	
Damping Ratio	0.7	0.7	0.7	0.7	0.7	0.7	Typical
Shock Limit (g)	5000	10000	10000	10000	10000	10000	

ELECTRICAL

Zero Acceleration Output (mV)	<±25	Differential
Excitation Voltage (Vdc)	2 to 10	
Input Resistance (Ω)	2000	Nominal
Output Resistance (Ω)	1000	Nominal
Insulation Resistance (MΩ)	>100	@100Vdc
Residual Noise (μV RMS)	<10	
Ground Isolation	Isolated from mounting surface	

ENVIRONMENTAL

Thermal Zero Shift (mV)	±3.0	From -10°C to +50°C
Thermal Sensitivity Shift (%/°C)	±0.1	From -10°C to +50°C
Operating Temperature (°C)	-20 to +80	
Humidity	Epoxy Sealed, IP65	

PHYSICAL

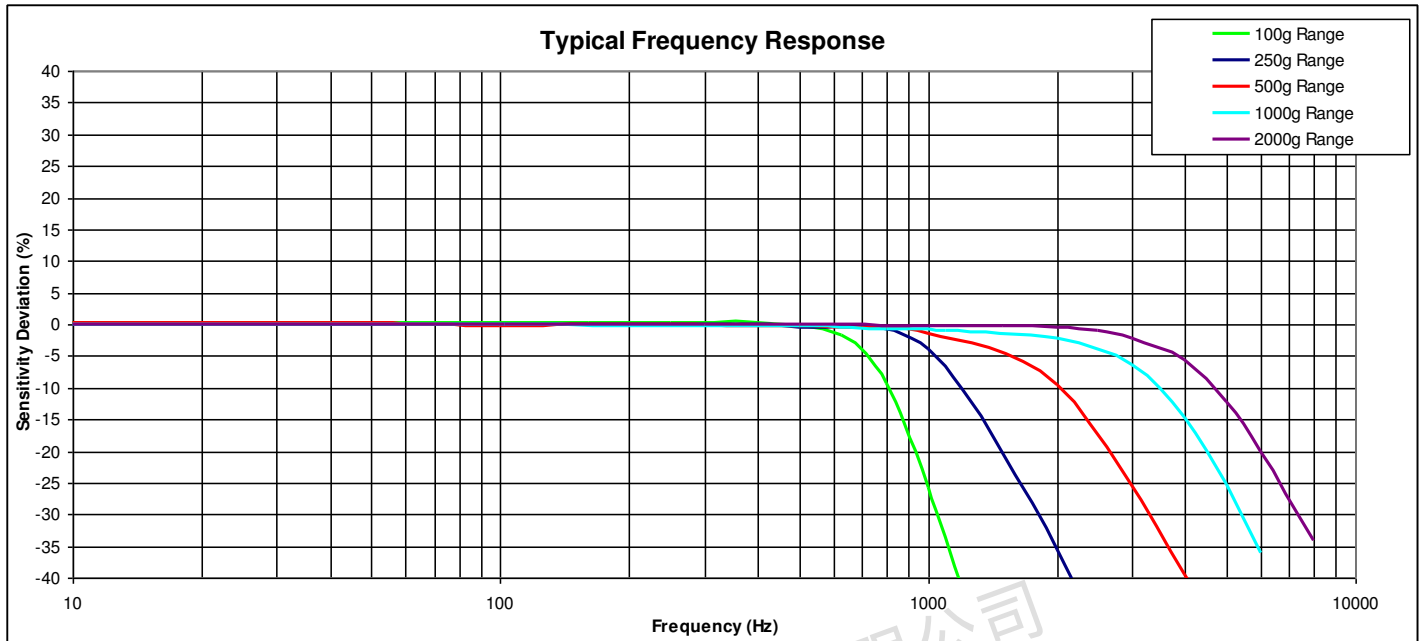
Case Material	Anodized Aluminum	
Cable	5x #30 AWG Leads, PFA Insulated, Braided Shield, PU Jacket	
Weight (grams)	<5	Cable not included
Mounting	2x #0- 80 x 3/16" Socket Head Cap Screws	
Mounting Torque	1.0-1.5 lb-in (0.11-0.17 Nm)	

¹ Output is ratiometric to excitation voltage. Tolerance is +50%/-30%.

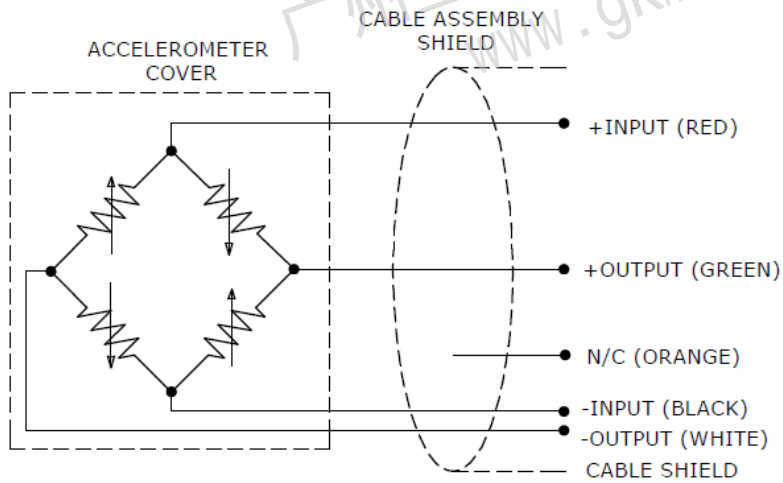
Calibration supplied:	CS-FREQ-0100	NIST Traceable Amplitude Calibration from 20Hz to Upper Frequency Limit
Supplied accessories:	AC-A03923	2x #0-80 (3/16" length) Socket Head Cap Screw, 2x #0 Washer, 1x Allen Key
Optional accessories:	MTG-E4 121	Triaxial Mounting Block 3-Channel Precision Low Noise DC Amplifier

MODEL 40B ACCELEROMETER

Typical Frequency Response

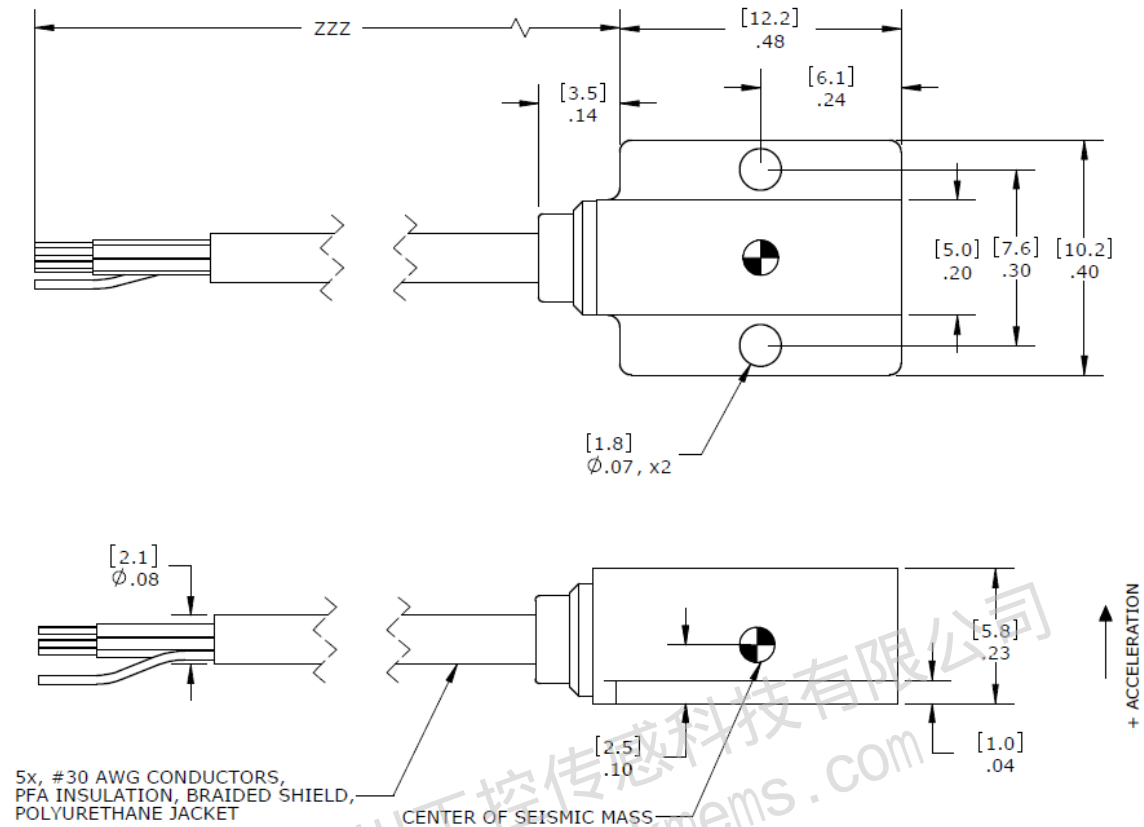


Schematic

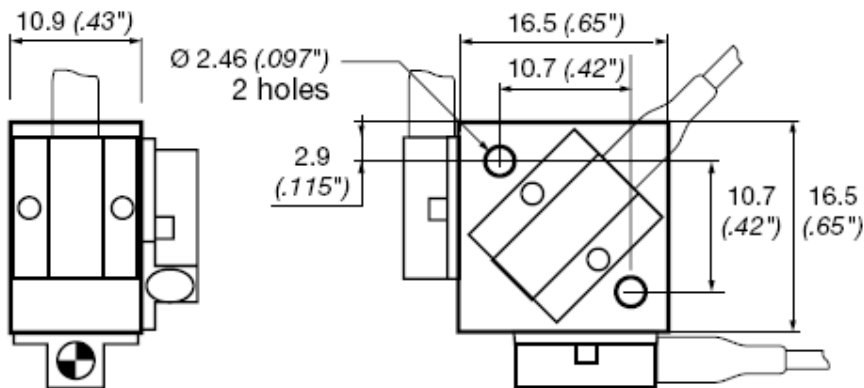


MODEL 40B ACCELEROMETER

Dimensions



Triaxial Mounting Block



MODEL 40B ACCELEROMETER

Ordering Information

40B	GGGG	ZZZ	T	XXX
Range 0025 = 25g 0100 = 100g 0250 = 250g 0500 = 500g 1000 = 1000g 2000 = 2000g				
Cable length 240 = 240 inches, 20 feet 360 = 360 inches, 30 feet 276 = 276 inches, 7 meters (*Minimum order quantity 25 pieces)				
Transverse Sensitivity Option Blank = <3% T = <1%				
Excitation Voltage Option Blank = 10Vdc 001 = 5Vdc 005 = 2Vdc				

Example; 40B-2000-360
Model 40B, 2000g range, 360inch (30ft) cable length

Example; 40B-0500-276T
Model 40B, 500g range, 276inch (7m) cable length, <1% transverse sensitivity option

广州工控传感科技有限公司
www.gkmems.com

广州工控传感科技有限公司

电话: 400-822-6658

邮箱: gzgk@foxmail.com

网址: www.gkmems.com

地址: 广州市天河区珠江西路15号16层