

85BSD

Digital Output

SPECIFICATIONS

- **Weldable or threaded process fittings**
- **Pressure/temperature read-out**
- **Digital output**
- **ASIC calibrated**
- **Absolute, gage**
- **Cable/connector option**
- **Low power option**
- **13mm diaphragm diameter**

FEATURES

- Weldable or threaded process fittings
- $\pm 0.25\%$ Accuracy
- ± 1.0 Total Error Band
- Cable/connector option
- Low power option
- I²C or SPI Interface protocols

APPLICATIONS

- Level controls
- Tank level measurement
- Corrosive fluids and gas measurement systems
- Sealed systems
- Manifold pressure measurement
- Barometric pressure measurement
- Submersible depth monitoring

The 85BSD is a small profile, media compatible, piezoresistive silicon pressure sensor packaged in a 316L stainless steel housing. This 14-bit digital output pressure sensor supports I²C and SPI interface protocols in either a 3.3 or 5.0Vdc supply voltage, and is designed to be weldable or threaded with process fittings. The sensing package utilizes silicone oil to transfer pressure from the 316L stainless steel diaphragm to the sensing element.

The 85BSD is designed for high performance, low pressure applications. A custom ASIC is used for temperature compensation, offset correction, and provides a digital output of 10~90% or 5~95%.

For a similar sensor with O-ring mounting, refer to the 86BSD digital output pressure sensor

STANDARD RANGES

Range	psiG	psiA	Range	barG	barA
0 to 005	•		0 to .35	•	
0 to 015	•	•	0 to 001	•	•
0 to 030	•	•	0 to 002	•	•
0 to 050	•	•	0 to 005	•	•
0 to 100	•	•	0 to 007	•	•
0 to 150	•	•	0 to 010	•	•
0 to 200	•	•	0 to 014	•	•
0 to 300	•	•	0 to 020	•	•

Intermediate pressure ranges available, contact factory

PERFORMANCE SPECIFICATIONS

Unless otherwise specified: Supply Voltage: 3.3V_{DC}, Ambient Temperature: 25°C

PARAMETERS	MIN	TYP	MAX	UNITS	NOTES
Zero Pressure Output (10% ~ 90%)		666		Count Hex	1
Zero Pressure Output (5% ~ 95%)		333		Count Hex	1
Full Scale Pressure Output (10% ~ 90%)		399A		Count Hex	1
Full Scale Pressure Output (5% ~ 95%)		3CCB		Count Hex	1
Accuracy	-0.25		0.25	%Span	2
Total Error Band	-1		1	%Span	3
Pressure Resolution	0.008			%Span	
Temperature Accuracy	-1.5		1.5	°C	4
Temperature Resolution		0.1		°C	
Input Voltage Range	2.7	3.3	5.5	V	1
Supply Current		3		mA	
Insulation Resistance (50Vdc)	50			MΩ	5
Overpressure			2X	Rated	6
Burst Pressure			3X	Rated	7
Load Resistance (R _L)	10			KΩ	
Long Term Stability (Offset & Span)		±0.5		%Span/Year	
Compensated Temperature (≤5psi)	0		50	°C	
Compensated Temperature (≥15psi)	-20		+85	°C	
Operating Temperature	-40		+125	°C	8
Storage Temperature	-40		+125	°C	8
Output Pressure Resolution			14	Bits	
Output Temperature Resolution	8		11	Bits	
Start Time to Data Ready			8.4	ms	9
Output Type	10% to 90% or 5% to 95%				
Interface Type	I ² C (ADDR, 0x28H)				
	I ² C (ADDR, 0X36H)				
	I ² C (ADDR, 0x46H)				
	SPI				

Media – Pressure

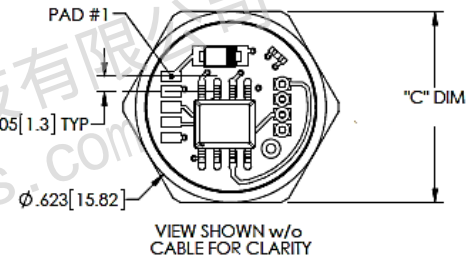
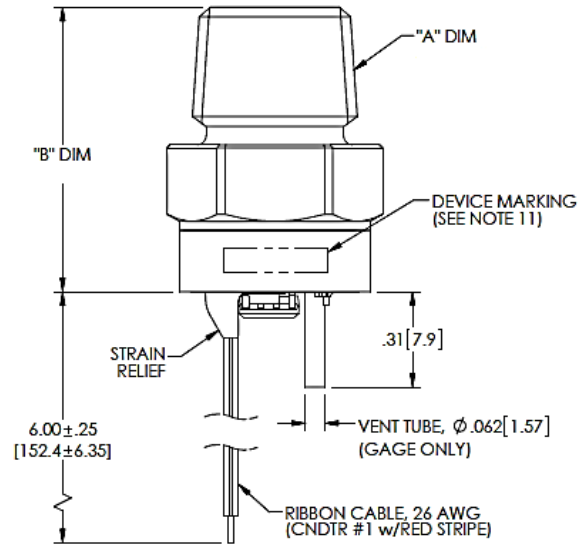
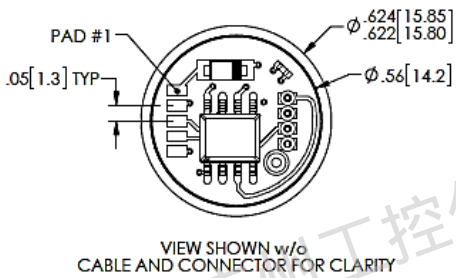
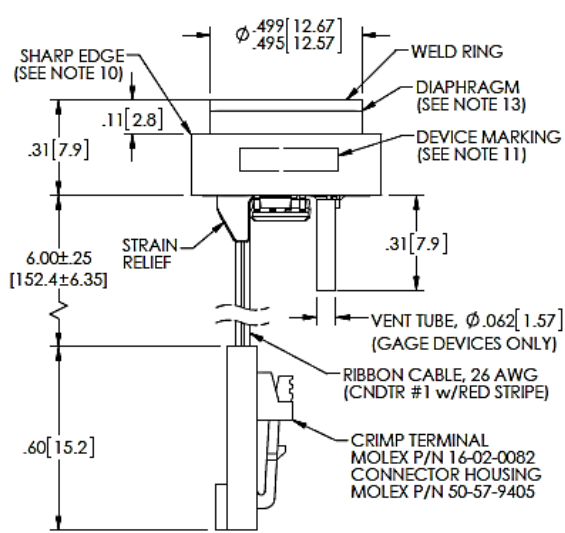
Liquids and gases compatible with 316/316L Stainless Steel

Notes

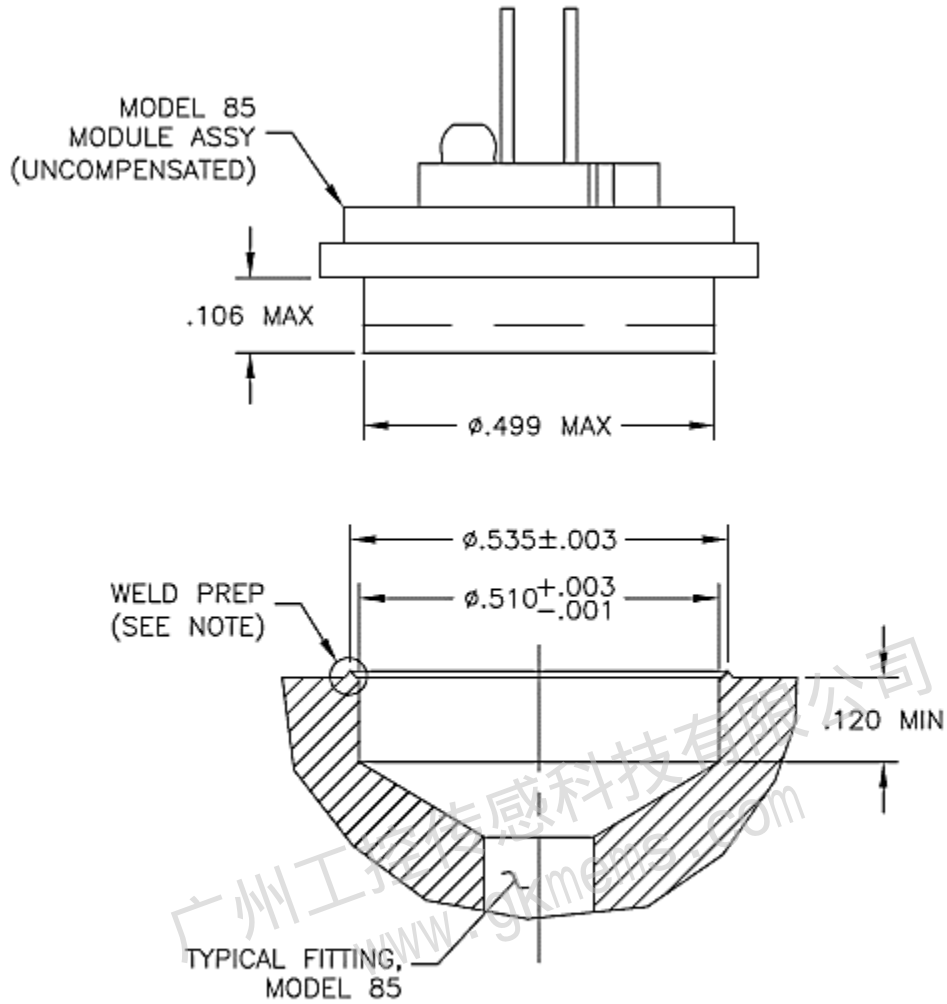
1. Measured at vacuum for absolute(A), ambient for gage(G) and sealed gage(S). Output is not ratiometric to supply voltage.
2. Accuracy: combined linearity, hysteresis and repeatability.
3. Total Error Band: includes calibration errors and temperature effects over the compensated range. See Figure 3.
4. The deviation from a best fit straight line (BFSL) fitted to the output measured over the compensated temperature range. For errors beyond the compensated temperature range, See Figure 2.
5. Between case and sensing element.
6. 2X or 400psi, whichever is less. The maximum pressure that can be applied to a transducer without changing the transducer's performance or accuracy.
7. 3X or 600psi, whichever is less. The maximum pressure that can be applied to a transducer without rupture of either the sensing element or transducer.
8. Maximum temperature range for product with standard cable and connector is -20°C to +105°C.
9. Start time to data ready is the time to get valid data after POR (Power on Reset). The time to get subsequent valid data is then specified by the response time specification.
10. Sharp edge strongly recommended for welding applications. Optimum weld parameters will reduce the effect of weld heat on sensor performance. Devices with lower pressure ranges have greater susceptibility to heat generated during the weld process
11. Device marking:
Each part shall be identified with model number, pressure range, type ('A' for absolute or 'g' for gage), Lot number, serial number, and data code.
12. Shipping/Packaging Requirements:
each device will be shipped individually packaged in a plastic vial with anti-static foam. For devices without fittings, the stainless steel diaphragm is protected by a static dissipative cap.
13. Direct mechanical contact with Diaphragm is prohibited. Diaphragm surface must remain free of defects (scratches, punctures, dents, fingerprints, etc) for device to operate properly. Caution is advised when handling parts with exposed diaphragms. Use protective cap whenever devices are not in use

广州工控传感科技有限公司
www.gkmems.com

DIMENSIONS



PAD/CNDR	FUNCTION
1	VDD
2	GND
3	SCL/SCLK
4	SDA/MISO
5	INT/SS



NOTE: WELD PREP SHOWN IS FOR RESISTANCE WELD. ACTUAL GEOMETRY VARIES PER CUSTOMER REQUIREMENTS.

TABLE 1: FITTING DIMENSIONS			
FITTING TYPE	"A" DIM	"B" DIM	"C" DIM
4	1/4-18 NPT	.93[23.6]	5/8[15.9] HEX
5	1/4-19 BSP	.96[24.4]	3/4[19.0] HEX
8	1/8-27 NPT	.80[20.3]	5/8[15.9] HEX
0	w/o FITTING		
ALL DIMS ARE FOR REFERENCE			

BLOCK DIAGRAM

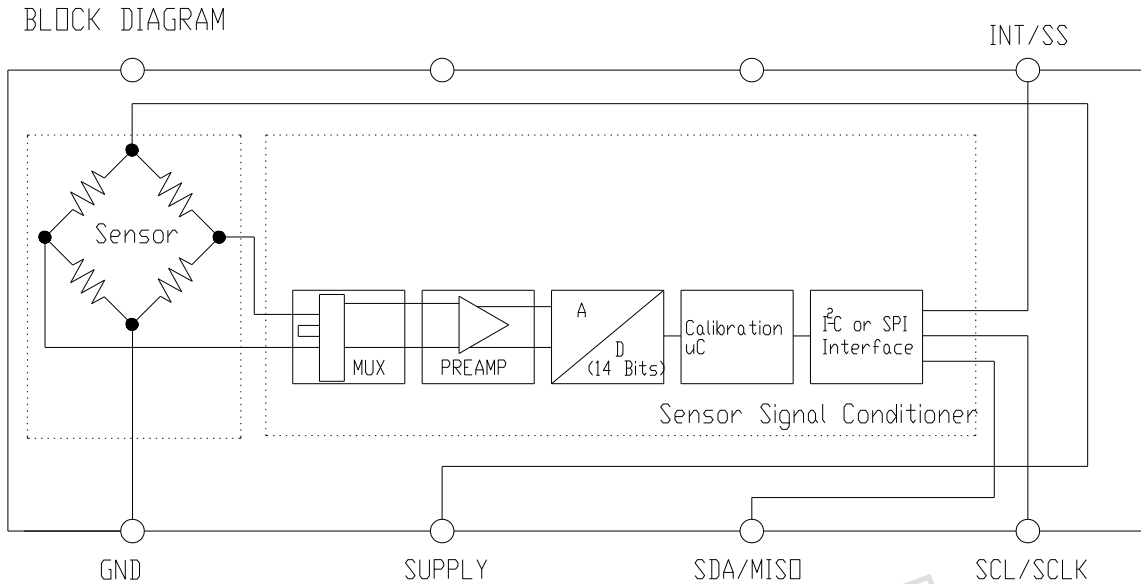


Fig 1

I2C INTERFACE PARAMETERS

PARAMETERS	SYMBOL	MIN	TYP	MAX	UNITS
SCLK CLOCK FREQUENCY	F _{SCL}	100		400	KHz
START CONDITION HOLD TIME RELATIVE TO SCL EDGE	t _{HDSTA}	0.1			μs
MINIMUM SCL CLOCK LOW WIDTH @1	t _{LOW}	0.6			μs
MINIMUM SCL CLOCK HIGH WIDTH @1	t _{HIGH}	0.6			μs
START CONDITION SETUP TIME RELATIVE TO SCL EDGE	t _{SUSTA}	0.1			μs
DATA HOLD TIME ON SDA RELATIVE TO SCL EDGE	t _{HDDAT}	0			μs
DATA SETUP TIME ON SDA RELATIVE TO SCL EDGE	t _{SUDAT}	0.1			μs
STOP CONDITION SETUP TIME ON SCL	t _{SUSTO}	0.1			μs
BUS FREE TIME BETWEEN STOP AND START CONDITION	t _{BUS}	2			μs

SPI INTERFACE PARAMETERS

PARAMETERS	SYMBOL	MIN	TYP	MAX	UNITS
SCLK CLOCK FREQUENCY	F _{SCL}	50		800	KHz
SS DROP TO FIRST CLOCK EDGE	t _{HDSS}	2.5			μs
MINIMUM SCL CLOCK LOW WIDTH @1	t _{LOW}	0.6			μs
MINIMUM SCL CLOCK HIGH WIDTH @1	t _{HIGH}	0.6			μs
CLOCK EDGE TO DATA TRANSITION	t _{CLKD}	0		0.1	μs
RISE OF SS RELATIVE TO LAST CLOCK EDGE	t _{SUSS}	0.1			μs
BUS FREE TIME BETWEEN RISE AND FALL OF SS	t _{BUS}	2			μs

@1 COMBINED LOW AND HIGH WIDTHS MUST EQUAL OR EXCEED MINIMUM SCL PERIOD.

TEMPERATURE ACCURACY / TOTAL ERROR BAND

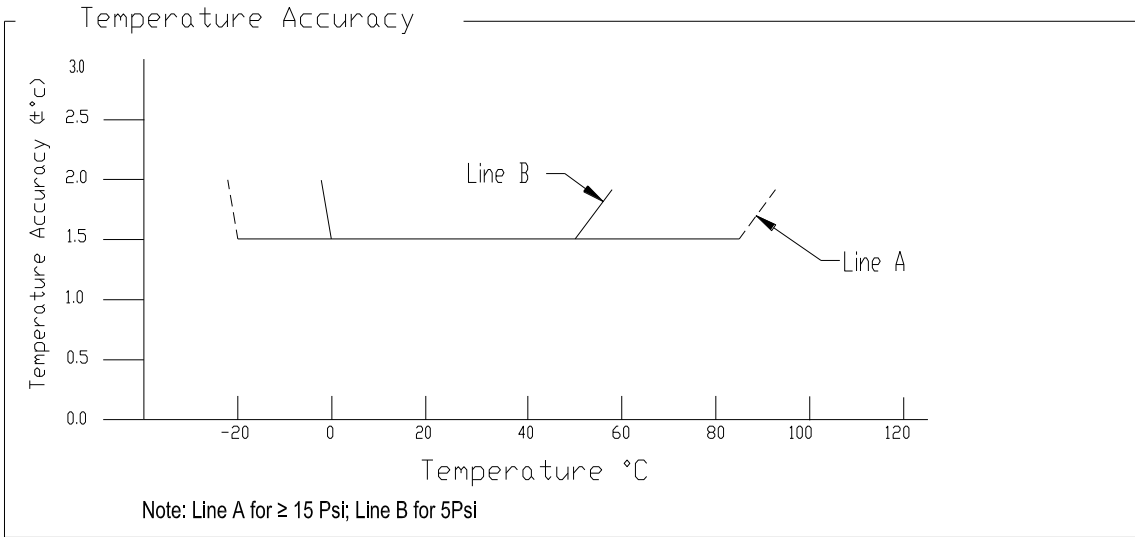


Fig 2

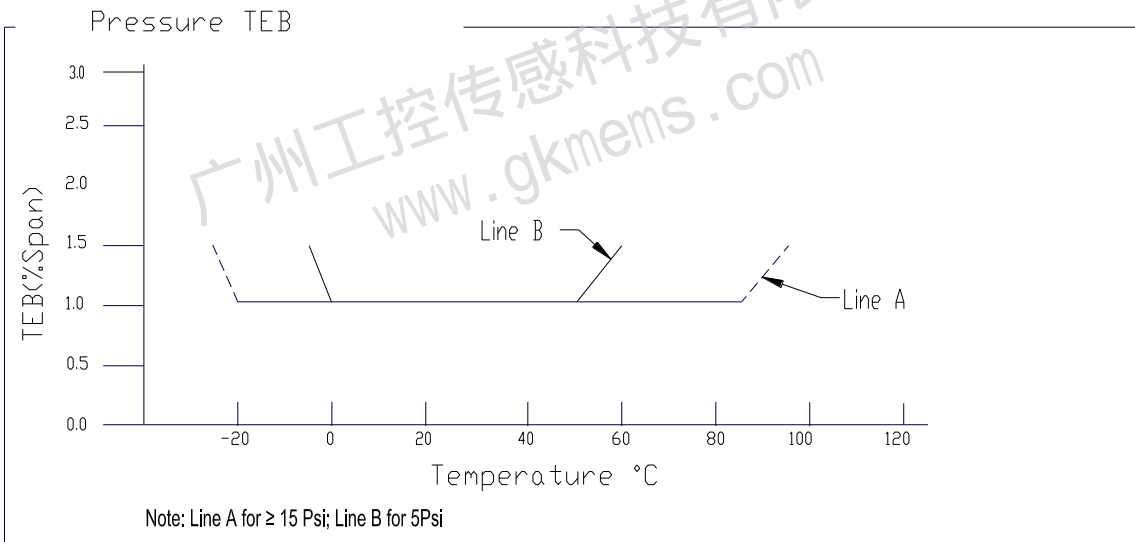


Fig 3

PRESSURE TRANSFER FUNCTIONS

Pressure Transfer Functions

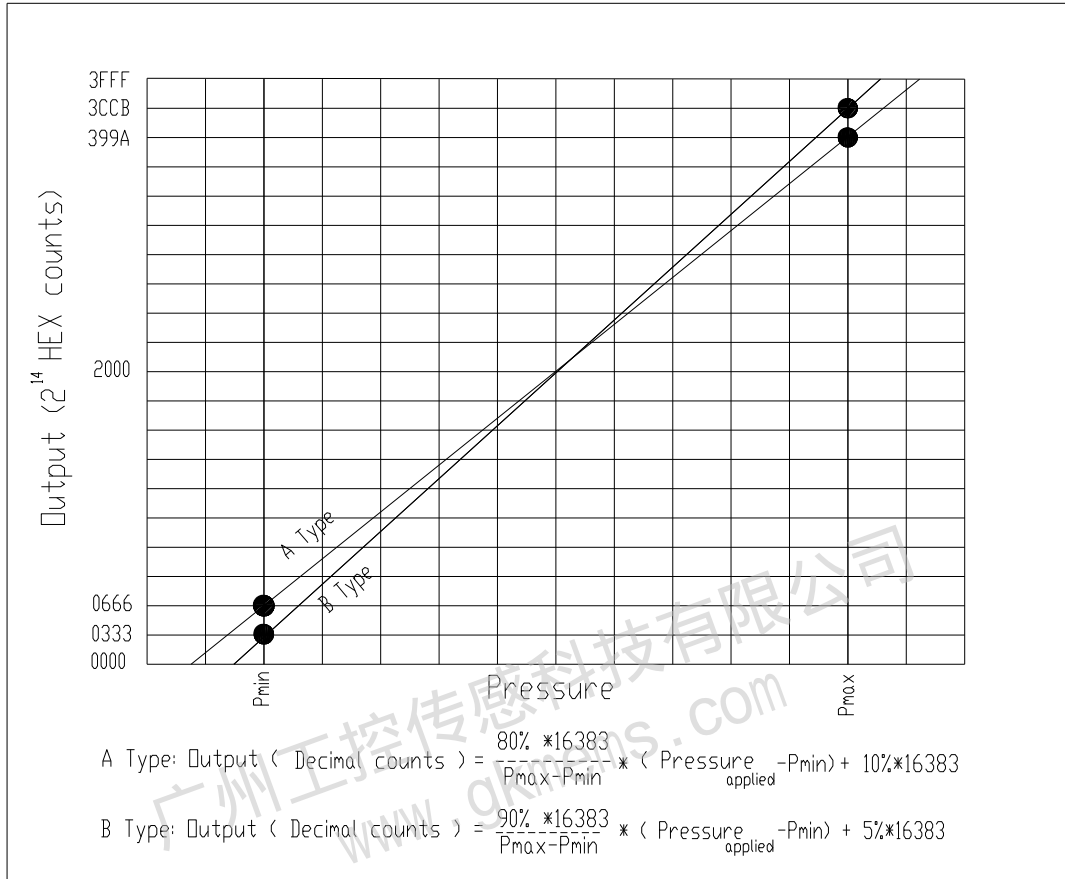


Fig 4

Sensor Output at Significant Percentages

% Output	Digital Counts (decimal)	Digital Counts (hex)
0	0	0 X 0000
5	819	0 X 0333
10	1638	0 X 0666
50	8192	0 X 2000
90	14746	0 X 399A
95	15563	0 X 3CCB
100	16383	0 X 3FFF

TEMPERATURE TRANSFER FUNCTIONS

Temperature Transfer Functions

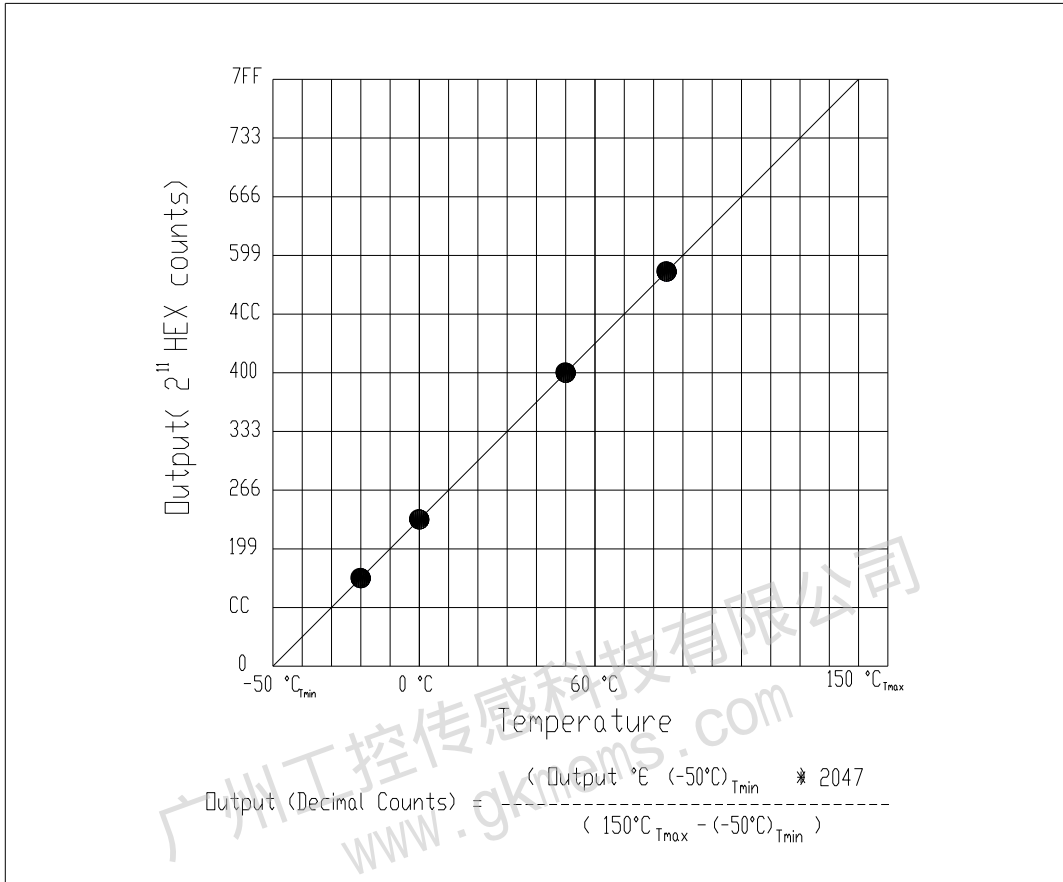


Fig 5

Temperature Output vs Counts

Output °C	Digital Counts (decimal)	Digital Counts (hex)
-50	0	0 X 0000
-20	307	0 X 0133
0	512	0 X 0200
25	767	0 X 02FF
50	1024	0 X 0400
85	1381	0 X 0565
150	2047	0 X 07FF

ORDERING INFORMATION

85BSD - 030P A 0 - 3 B J P (LT)

Pressure Range		
psi	bar	Reference
005P	.35B	Gage Only
015P	001B	Absolute and Gage
030P	002B	
050P	005B	
100P	007B	
150P	010B	
200P	014B	
300P	020B	

Intermediate Pressure Ranges Available

Pressure Type	
G	Gage
A	Absolute

Fitting Type			
Code	'A' Dim	'B' Dim	'C' Dim
4	1/4-18 NPT	.93 [23.6]	5/8 [15.9] Hex
5	1/4-19 BSP	.96 [24.4]	3/4 [19.0] Hex
8	1/8-27 NPT	.80 [20.3]	5/8 [15.9] Hex
0	w/o Fitting		

All Dims are for Reference

Supply Voltage	
3	3.3V _{DC}
5	5.0V _{DC}

Power Mode/Vent Tube	
LT	Low Power w/ Tube
L	Low Power w/o Tube
T	Standard w/ Tube
[Blank]	Standard, No Tube

Connection	
P	Pad
R	Ribbon cable
C	Cable w/ Connector

Interface	
I	I ² C(Addr. 0x28H)
J	I ² C(Addr. 0x36H)
K	I ² C(Addr. 0x46H)
S	SPI

Output	
A	10 – 90%
B	5 – 95%

广州工控传感科技有限公司

电话: 400-822-6658

邮箱: gzgk@foxmail.com

网址: www.gkmems.com

地址: 广州市天河区珠江西路15号16层